

# Bimetal thermometer

## For heating technology

### Model A43, standard version

WIKA data sheet TM 43.01

#### Applications

- Heating systems
- Hot water tanks
- Solar collectors
- Heat transfer stations

#### Special features

- Reliable and cost-effective
- Indication accuracy class 2 in accordance with EN 13190
- Scale ranges from -30 ... +120 °C

#### Description

The model A43 bimetal thermometer was developed as a standard version for simple temperature indication in heating applications.

Its modular design enables a multitude of combinations of case materials, nominal sizes, scale ranges and stem lengths. This ensures that the basic dimensions are maintained.

The standard scope of delivery of the model A43 includes a thermowell. The thermowell can be operated with an operating pressure up to a maximum of 6 bar.

The model A43 is manufactured to tolerance class 2 in accordance with EN 13190 and thus offers the required indication accuracy for heating technology.



Upper fig.: Steel case, galvanised

Lower fig.: Plastic case

## Standard version

### Measuring element

Bimetal coil

### Nominal size

63, 80, 100

### Working range

Full scale value

### Case

Model A43.10: Aluminium

Model A43.20: Steel, galvanised

Model A43.30: Plastic, black

### Connection location

Back mount (BM), centre

### Process connection

Thermowell G ½ B, copper alloy

### Stem

Aluminium

### Thermowell

Copper alloy

Removable, friction fit

### Permissible operating pressure at thermowell

Max. 6 bar

### Dial

Plastic, white, black lettering

### Pointer

Plastic, black

### Window

NS 63: PS

NS 80, 100: SAN

### Indication accuracy

Class 2 per EN 13190

### Zero adjustment

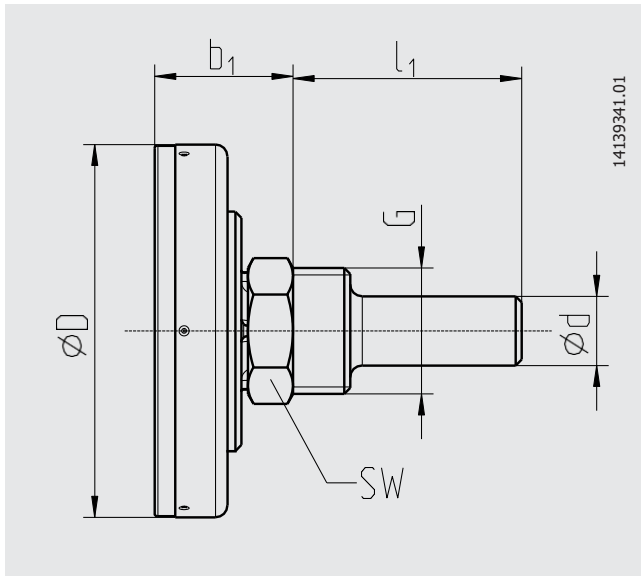
At bottom of stem

## Options

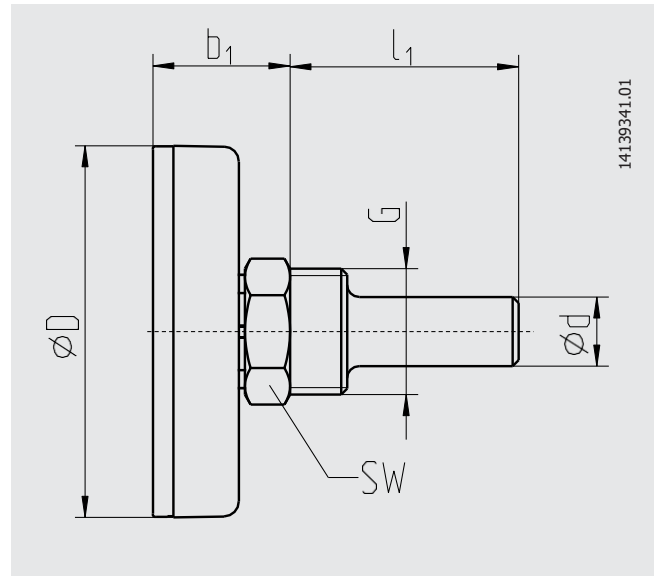
- Other scale ranges
- Slip-on bezel, nickel-plated
- Removable brass thermowell with retainer screw

## Dimensions in mm

Model A43.10, A43.20



Model A43.30



| NS  | Dimensions in mm |                    |                     |                             |         |       |
|-----|------------------|--------------------|---------------------|-----------------------------|---------|-------|
|     | $b_1$            | $\varnothing d$    | $\varnothing D$     | $l_1$                       | G       | SW    |
| 63  | 24               | 11.5 <sup>1)</sup> | 63 (61.6 ... 62.2)  | 40, 60, 100 (optional: 160) | G 1/2 B | SW 21 |
| 80  | 24               | 11.5 <sup>1)</sup> | 80 (78.6 ... 79.4)  | 40, 60, 100 (optional: 160) | G 1/2 B | SW 21 |
| 100 | 24               | 11.5 <sup>1)</sup> | 100 (98.6 ... 99.4) | 40, 60, 100 (optional: 160) | G 1/2 B | SW 21 |