

Model SSD

Wet / Wet Digital Differential Pressure Gauge / Switch

Description

SSD model, it is suitable measuring for high precise measurement and differential pressure. SSD can be against corrosive material owing to Media-Wetted materials are composed stainless steel 316L.

SSD model contains Microprocessor. Moreover, it is a Differential Pressure Gauge / Switch with characteristics of LED Display, 1~5VDC or 4~20mA(3wire) Analog Output, 2-Channel RELAY Output. Since it uses IP65 structure, there is no limitation with environmental conditions. As Differential Pressure Sensor, Indicator and Switch are integrated in order to realize providing it at low price.

Features

- ▶ CE Certified
- ▶ Built-in amplifier circuit(1~5VDC, 4~20mA)
- ▶ Optional 2-channel Relay switching output
- ▶ Measuring range 0~3.5MPa diff.
- ▶ 0.3%FS or 0.5%FS accuracy
- ▶ IP65 Protection
- ▶ Differential Pressure measurement
- ▶ Piezoresistive silicon cell
- ▶ Stainless steel media-wetted materials

Applications

- ▶ Corrosive Fluid and Gas Measurement Systems
- ▶ Liquid Level Controls
- ▶ Tank Level Measurement
- ▶ Leak Tester System

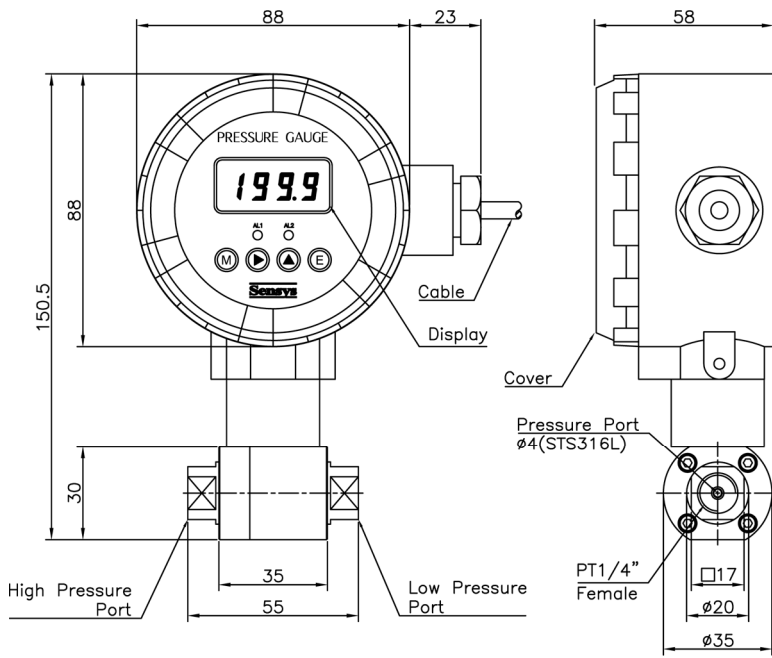


Specifications

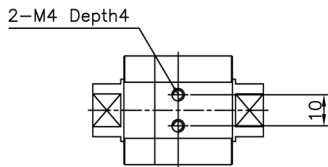
	Accuracy 0.3%FS		Accuracy 0.5%FS	
	SSDA / □	SSDB / □	SSDA / □	SSDB / □
Range	0~5kPa ... 3.5 MPa		0~100kPa ... 2.5 MPa	
Performance	±0.3%FS ± 1digit		±0.5%FS ± 1digit	
Accuracy	±0.3%FS ± 1digit		±0.5%FS ± 1digit	
Thermal Effect on Zero	±0.05%FS/°C		±0.05%FS/°C	
Thermal Effect on Span	±0.05%FS/°C		±0.05%FS/°C	
Compensated Temperature Range	-10 ~ 70°C			
Operating Temperature Range	-20 ~ 80°C			
Electrical				
Display	LED(Red Color)			
Max Readout	±1999(3 1/2)			
Height of Digits	10mm			
Excitation	18 ~ 26VDC			
Output				
Switching Signal	-	2-Channel Relay (5A 28VDC / 10A 125VAC / 5A 250VAC)	-	2-Channel Relay (5A 28VDC / 10A 125VAC / 5A 250VAC)
Analog Signal	1~5VDC, 4~20mA(3Wire)			
Electrical Connection	Cable	DIN Connector	Cable	DIN Connector
Physical				
Proof Pressure	Positive Pressure 300%FS Max. Negative Pressure 300%FS Max.		Positive Pressure 200%FS Max. Negative Pressure 100%FS Max.	
	(For high-end port, rated or 7MPa whichever is less; for low-end port, rated or 1MPa whichever is less.)			
Line(Common Mode) Pressure	7MPa			
Vibration	49.1m/s ² {5G}, 10~500Hz			
Shock	490m/s ² {50G}			
Pressure Port	R(PT)1/4"(F), UNF 7/16(Flare Fitting)			
Media-Wetted Materials	Stainless Steel 316L, VITON			
Protection	IP65			
Weight	Approx. 900g (Standard type only)		Approx. 1kg (Standard type only)	

Dimension

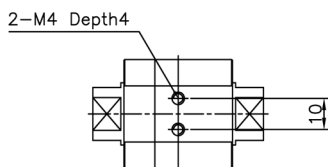
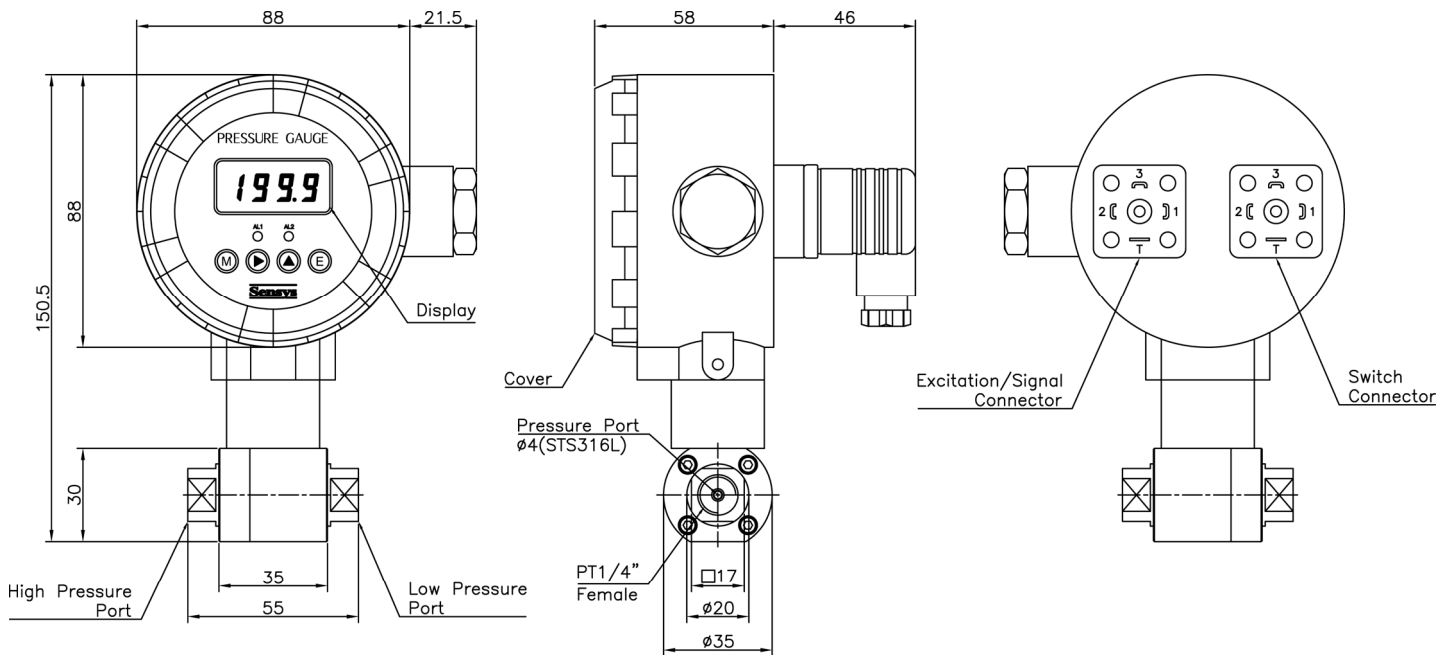
► SSDA / SSDC(Standard Type / Accuracy 0.3%FS Type)



Wire Color	Connections
Red	Input ⊕
White	Common ⊖
Green	Output ⊕
Shield	Earth

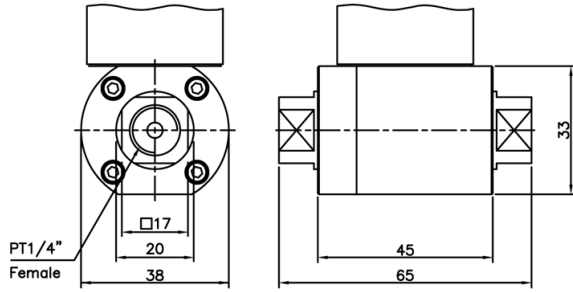


► SSDB / SSDD(Switch Output Type / Accuracy 0.3%FS Type)

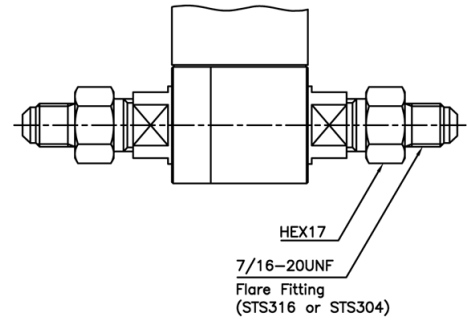


Excitation/Signal Pin No.	Connections	Switch Pin No.	Connections
1	Input ⊕	1	Switch 1
2	Common ⊖	2	Switch 1
3	Output ⊕	3	Switch 2
⊕	Earth	⊕	Switch 2

▶ Accuracy 0.5%FS Type

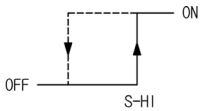


▶ Flare Fitting(Optional)

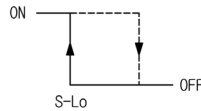


Alarm Mode

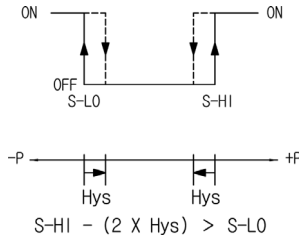
▶ Hi Mode



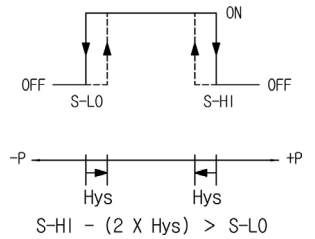
▶ Low Mode



▶ A Mode



▶ B Mode



Ordering Information

Model Name SSD A 0200 R 1 H - □ **Option**

Output

- A : 1~5V
- B : 2-Ch. Relay, 1~5V
- C : 4~20mA(3Wire)
- D : 2-Ch. Relay, 4~20mA(3Wire)

Pressure Range

XXXX : Pressure

Accuracy

- H : 0.3%FS
- L : 0.5%FS

Pressure port

- 1 : R(PT)1/4"(Female)
- 2 : UNF 7/16(Flare Fitting)

Pressure Unit

- K : kgf/cm²
- B : bar
- P : psi
- M : MPa
- R : kPa
- D : mmH₂O
- H : mmHg
- C : cmH₂O