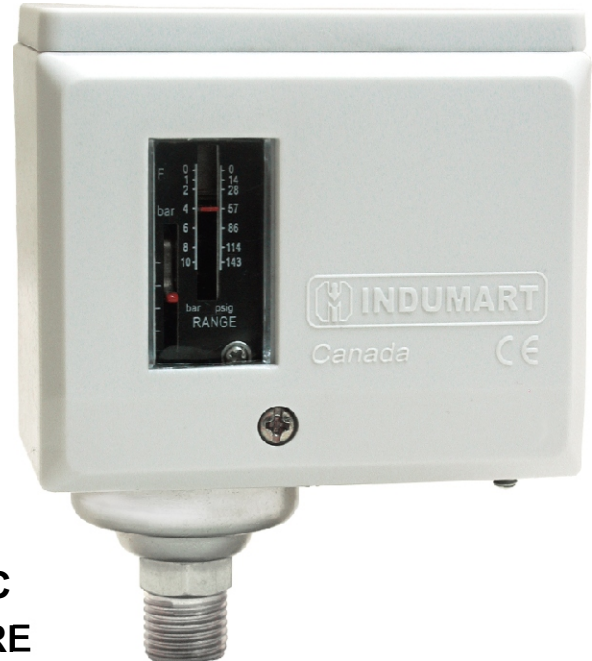




SERIES: PSP100

- **ADJUSTABLE SETPOINT**
- **ADJUSTABLE HYSTERISIS**
- **STURDY BELLOWS ELEMENT**
- **HIGH MECHANICAL SERVICE LIFE**
- **BRACKET FOR SURFACE MOUNTING**
- **12A SWITCHING CURRENT @ 250 VAC**
- **-10...120°C OPERATING TEMPERATURE**
- **MANUAL RESET OPTION (NO DIFFERENTIAL)**
- **CHANGEOVER SWITCHING CONTACT (SPDT)**
- **RANGES COVERING -70 TO 3,000 kPa (450 PSI)**
- **SUITABLE FOR AIR, LIQUIDS & REFRIGERANTS**



APPLICATIONS:
 Refrigerant Line
 Air or Water Lines
 Oil Pressure Control
 Pumps & Compressors

INTRODUCTION

Indumart *PSP100 Series* Pressure Switches are used in processes involving air, water, oil or hydrogen fluoride refrigerants. Their function is to activate an SPDT electrical switch at a given pressure value.

The measuring principle of the *PSP100 Series* is based on the movement of a spring loaded bellows which triggers an SPDT switch at a desired pressure. The switching point as well as hysteresis of most units can be set at the site.

The *PSP100 Series* Pressure Switches are supplied with either auto or manual reset feature. The auto reset switches turn back automatically to the low pressure switch setting when the process pressure goes below the set threshold, while manual reset units do not go back to the low pressure switch setting until the reset button is pressed.

Electrical connection is made in the instrument's junction box, and the switching reliability and long service life of the instrument is guaranteed by its

heavy-duty change-over electrical contact .

These pressure switches can be directly mounted to the process or be secured to a surface, with the aid of a mounting bracket supplied as standard.

The *PSP100 series* may be supplied with a 1 m capillary tube and ¼" flare nut connection for remote mounting.

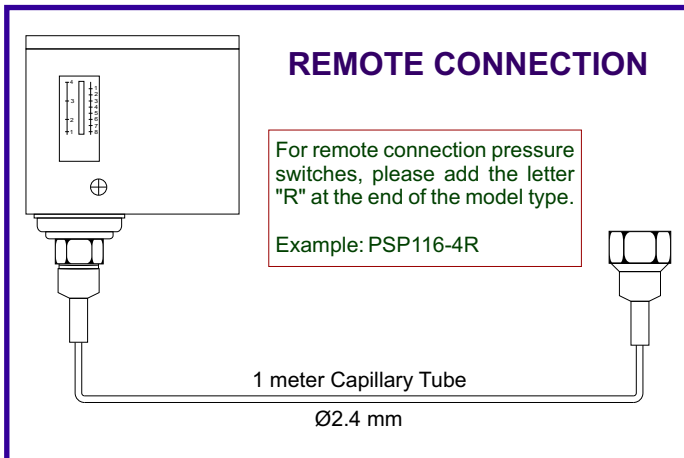
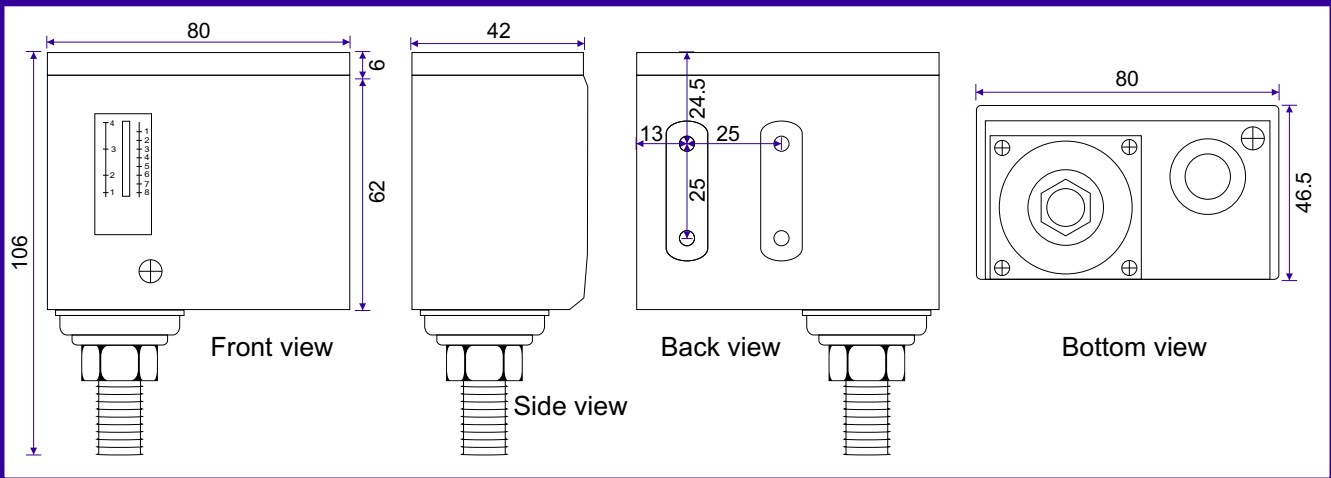
SPECIFICATIONS

Case	Cadmium-plated steel
Cover	Hard plastic
Bellows Material	Phosphor bronze
Process Connection	¼" NPT, G¼, 7/16"-20 thread, or ¼" SAE flare
Capillary Tube (option)	1 m long with ¼" flare nut
Electrical Contact	SPDT Micro-switch; Silver-plated; 12A @ 250 VAC 72A of instant inductive load
Fluid Temperature	-10...120°C
Mounting	Direct; Surface-mount with the supplied bracket

Specifications may change without prior notice.

Range Model	103	106	110	116	124	130
Range	-10...45 psi -0.7...3 bar -70...300 kPa	-10...90 psi -0.7...6 bar -70...600 kPa	15...150 psi 1...10 bar 100...1000 kPa	75...230 psi 5...16 bar 500...1600 kPa	75...350 psi 5...24 bar 500...2400 kPa	75...440 psi 5...30 bar 500...3000 kPa
Differential	3...22 psi 0.2...1.5 bar 20...150 kPa	9...60 psi 0.6...4 bar 90...400 kPa	15...45 psi 1...3 bar 100...300 kPa	15...60 psi 1...4 bar 100...400 kPa	30...75 psi 2...5 bar 20...500 kPa	75...150 psi 5...10 bar 500...1000 kPa
Maximum Pressure	250 psi 17 bar 1700 kPa	250 psi 17 bar 1700 kPa	250 psi 17 bar 1700 kPa	500 psi 35 bar 3500 kPa	500 psi 35 bar 3500 kPa	500 psi 35 bar 3500 kPa

DIMENSIONS (mm)



Also Available:

- Dual Input Pressure Switches
- Differential Pressure Switches

ORDER CODE

Model: PSP [] [] - [] []

Range

Select a range from the Table [] []

Reset Type

Auto (standard)
Manual (option)

[-]
[M]

Connection Size

1/4" NPT
G1/4
7/16"-20 thread
1/4" SAE Flare

[1]
[2]
[3]
[4]

Remote Connection

Not Required
Required (1m capillary tube)

[-]
[R]

Example: PSP110-1



INDUMART INC.

1-15 W. Pearce St., Richmond Hill, Ont. L4B 1H6, Canada
Phone: (905) 707-9998 Fax: (905) 707-8484 E-mail: Sales@Indumart.com